

INSTRUCTIONS



WEATHERBRAKE

2176

FITS

John Deere 3120, 3320, 3520 &
3720 with 300x Loader



General Offices
1132 W. 1ST STREET
McPherson, KS 67460
Phone: (620) 241-3513
Web: www.femcomfg.com

Form No. 286324400 / 12-2005

IMPORTANT

READ AND UNDERSTAND ALL INSTRUCTIONS BEFORE MOUNTING WEATHER BRAKE. DO NOT TIGHTEN HARDWARE UNTIL INSTRUCTED TO DO SO



DASH BRACKET

1. Remove two (2) bolts from dash of tractor
2. Attach dash bracket (A) using same bolts removed.
3. Repeat procedure for other side.
4. Tighten Bolts

YOKE BRACE

1. Attach yoke brace (A) to dash bracket using four (4) 1/4" x 3/4" bolts and nuts.
2. Tighten Bolts.





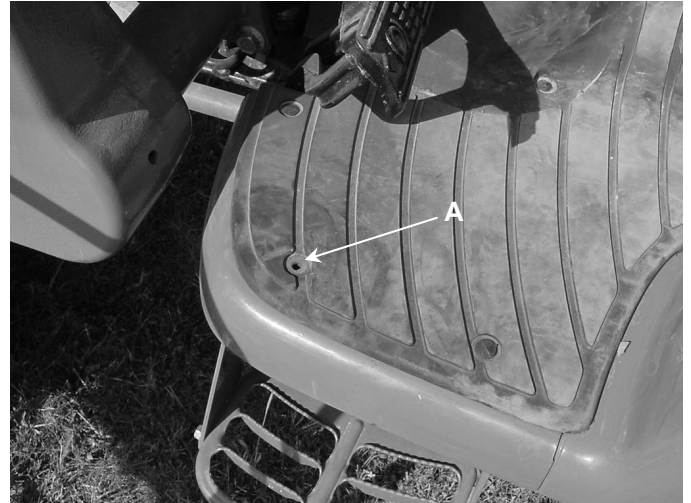
YOKE BRACE TAB

NOTE: LONG FLANGE IS TO POINT UP.

1. Attach yoke brace tab (A) to yoke brace using two (2) 1/4" x 3/4" bolts and nuts.
2. Tighten Bolts

DECK

1. Remove plastic plug (A) from left side of deck.
2. Drill hole out to 9/32" diameter.



DOOR POST

NOTE: THERE IS TO BE A 1/2" NUT USED AS A SPACER INSERTED BETWEEN DECK AND FOOT STEP.

1. Attach door post (A) to deck using one (1) 1/2" x 2" bolt and nut.

MOTOR COVER

1. Arrange motor cover (A) over hood of tractor.
2. Slide 3" hem of motor cover down over top of door post.



YOKE

1. Insert yoke (A) into top 3" hem of motor cover.
2. Attach yoke to yoke bracket using two (2) 1/4" x 3/4" bolts and nuts.
3. Attach end of yoke to door post using one (1) 1/4" x 1" bolt and nut. Bolt head inside, nut outside.
4. TIGHTEN ALL BOLTS.

BRACKET BAR

1. Loosen bolts to lights and slide bracket bar (A) between bolts and bar.
2. Tighten bolts but do not over tighten.
3. Repeat procedure for the other side.





SIDE ARM

1. Insert side arm (A) into 3" hem of motor cover.
2. Attach side arm to yoke using one (1) 3/8" x 1" bolt and nut. Note: head of bolt up nut down.
3. Attach side arm to bracket bar using two (2) 1/4" x 3/4" bolts and nuts.
4. Slide rear of side arm up or down so side arm is parallel with yoke and tighten bolts.

DUAL LOCK® is a registered trademark of 3M Co.

1. Cut the plastic Dual Lock into 2" lengths.
2. The surface must be cleaned with a mild detergent to assure proper application of Dual Lock strips.

NOTE: DO NOT PEEL BACKING FROM THE DUAL LOCK

3. Apply cut Dual Lock to all Dual Lock sewn to the motor cover.
4. Arrange the motor cover to the tractor. Peel the backing from the Dual Lock and apply to the tractor. Repeat this procedure for all Dual Lock



TIE STRAPS

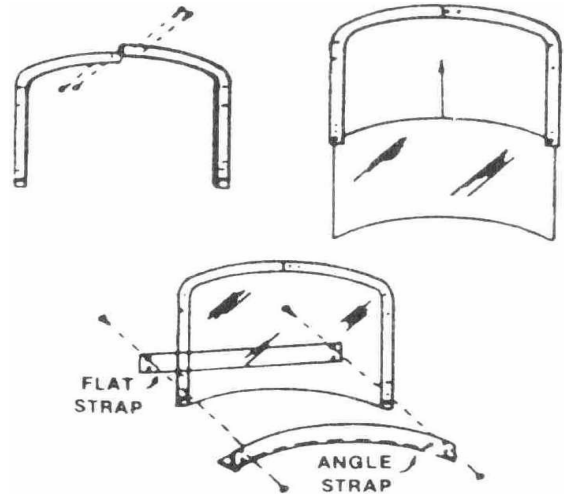
IMPORTANT

CLOTH STRAPS ARE NOT TO BE ATTACHED TO ANY MOVING, ROTATING, OR HEAT GENERATING POINTS OF TRACTOR. ANY EXCESS CLOTH STRAP IS TO BE CUT OFF.

1. Thread cloth strap through grommets at bottom of motor cover and tie.
2. Route cloth straps to other side or to a point on tractor and tie.

WINDSHIELD ASSEMBLY

1. Attach left and right window frames using two (2) #10 x 1/2" bolts and nuts.
2. Slide glass in channel of windshield frame.
3. Attach flat strip and angle strip to windshield frame using two (2) #10 x 1/2" bolts and nuts in second holes only.
4. **TIGHTEN BOLTS.**



WINDSHIELD ATTACHMENT

1. Remove nut from yoke and door post and attach assembled windshield.
2. Attach other side of windshield to yoke using one (1) 1/4" x 1" bolt and nut.
3. Tighten all bolts.

DOORS

1. Locate holes in door post and cut holes in fabric.
2. Hold door (A) to door post and bottom of windshield.
3. Mark location of holes in door post to door
4. Cut 5/8" slots next to wire frame of door and attach to door post using two (4) #10 x 3/4" bolts, clips, and nuts.
5. Tie door flap (B) to motor cover.
6. **TIGHTEN ALL BOLTS.**





LEFT WINDOW

1. Mark location of holes in windshield to left window (A).
2. Cut 5/8" slots next to wire frame of left window and attach to windshield using two (2) #10 x 3/4 bolts and nuts.
3. About 6" from back of left window at location (B) cut 5/8" slots in left window and door and attach using one (1) #10 x 3/4" bolt, nut & clip.
4. Tighten bolts.

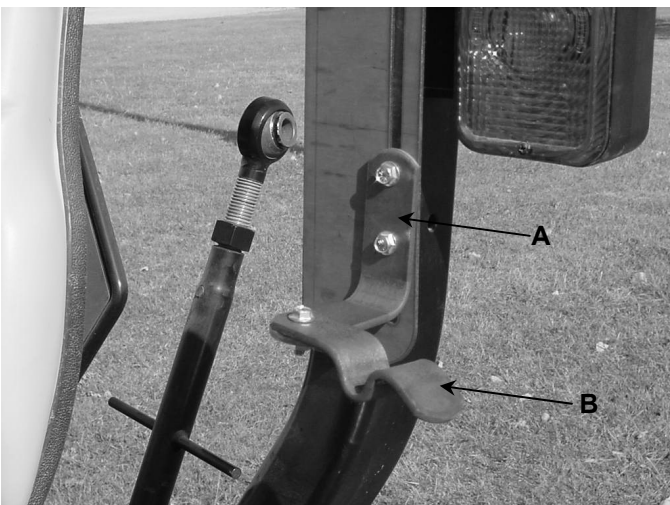
RIGHT WINDOW

1. Right window (A) is to be bent to match configuration of yoke and side arm.
2. Using same procedure as left window, attach right window to windshield.
3. Mark location of hole in side arm to bottom of right window and using same procedure as left window, attach to side arm.
4. Tighten bolts.



DOOR LATCH

1. Attach door latch bracket (A) to bracket bar using two (2) 1/4" x 3/4" bolts and nuts.
2. Attach latch (B) to door latch bracket using one (1) 1/4" x 3/4" bolt and nut.
3. Close door and slide assembled latch up or down so door sets firmly in loop of latch.
4. Tighten bolts and all other bolts not tightened at this time.



NOTES